

Month: \_\_\_\_\_ Day: \_\_\_\_\_

Day of the week: \_\_\_\_\_

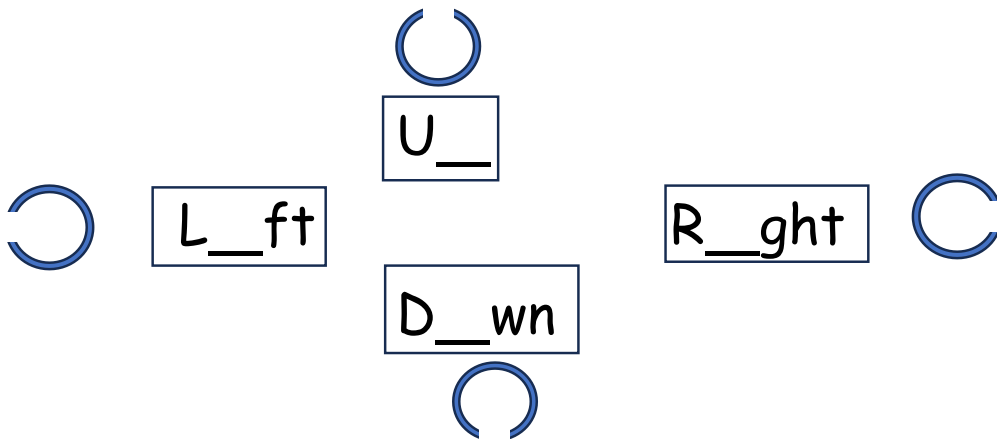
Name: \_\_\_\_\_

In the \_\_ period, we had an eyesight test (test of the e\_\_ \_\_ \_\_) at the school nurse's office.

Eyesight is how well we can s\_\_ \_\_.

Ms. Brown tested us and a\_\_ \_\_ed where each ring is broken.

We l\_\_ \_\_ \_\_ed at the ring and answered where.



We said "H\_\_ll \_\_, Ms. Brown," before the test.

We said, "T\_\_ \_\_ \_\_ \_\_ y\_\_ \_\_, Ms. Brown," after the test.